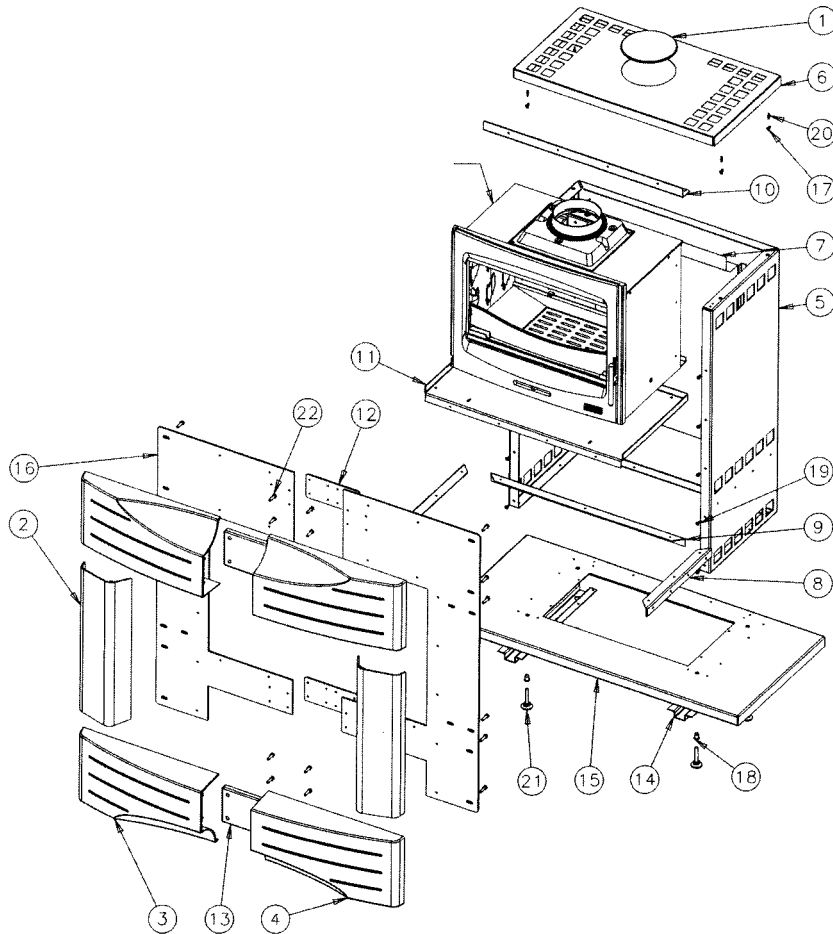


NOMENCLATURE ET ÉCLATÉ

► Général



RepQ	Nom	Codification
1	13147_F_obturateur_de_dessus	1_1154_3147
2	2368107_F_fronton	1_2112_368107
3	2368107_F_fronton_droit	1_2113_368107
4	2368107_F_fronton_gauche	1_2114_368107
5	1368107_T_caisson_foyer	1_2545_368107
6	1368107_T_couvercle	1_1201_368107
7	1368107_T_deflecteur	1_0131_368107
8	2368107_T_equerre_de_cote	1_2365_368107
9	1368107_T_equerre_de_derriere	1_2467_368107
10	1368107_T_equerre_fixation_facade	1_2041_368107
11	1368107_T_plaque_d_ossise	1_2690_368107
12	2368107_T_raccord_de_devant	1_2454_368107
13	2368107_T_raccord_de_fronton	1_2096_368107
14	2368107_T_renfort_de_socle	1_2269_368107
15	1368107_T_socle	1_2215_368107
16	2568107_T_support_fronton	1_2148_368107
17	4AA_attache_rapida_4434_3	90001306005
18	4AA_ecrou_M10_eurosert_tole_3_5_6	90001307871
19	10AA_ecrou_M5_eurosert_(9408_2517)	90001306629
20	4AA_goujon_R6964R6466	90001305682
21	4AA_vis_verto_a_vis_d36_M10_lg50	90001304452
22	24AA_vis_TH_M8x30_ZN_noir	90001301241

► Foyer

41	2AA_Vis_HC_M5x6_bout_pointu	00001304206
40	1AA_rivet_acier_TR_6x40	00001305507
39	1AA_goupille_cannelee_6x40	00001305127
38	1996022_T_poignee_porte_chargement	1_2839_996022
37	1996022_AF_bulbe_de_facade	1_2010_996022
36	1996022_AA_embout_de_poignee	00001307107
35	1996003_F_porte_chargement	2_2831_996003
34	1996003_F_conduit_sup_air	1_4173_996003
33	16726_F_ecusson	1_8501_6726
32	1660108_F_siege_buse	14322_660108
31	2660101_T_fixe_vitre	1_2071_660101
30	1368106_T_guide_de_securite	1_368106_4175
29	1368101_T_derriere_foyer	1_0130_368101
28	1368101_F_plaque_foyer_ar_gauche	1_0168_368101
27	1368101_F_plaque_foyer_ar_droite	1_0167_368101
26	1368101_F_deflecteur	2_0131_368101
25	13258_F_support_deflecteur_av	1_0129_3258
24	13258_T_fixe_vitre	1_2008_3258
23	23258_F_volet_reglage_air	3_4137_3158
22	13258_F_plaque_foyer_av_gauche	1_0165_3258
21	13258_F_plaque_foyer_av_droite	1_0166_3258
20	13258_F_plaque_foyer_ar_gauche	1_0167_3258
19	13258_F_plaque_foyer_ar_droite	1_0168_3258
18	13258_F_facade	42101_3258
17	13258_F_chenet	1_0306_3258
16	13258_AA_vis_epoulement	1_19250_3258
15	23158_T_potte_fix_cote_int	1_2375_3158
14	23158_T_joint_cote	1_2345_3158
13	13158_T_fond_socle	1_12440_3158
12	13158_T_equerre_ar_sup_foyer	1_10307_3158
11	13158_T_cote_gauche_tiroir_cendres	1_1338_3158
10	13158_T_cote_droit_tiroir_cendres	1_1337_3158
9	23158_T_cote	1_2317_3158
8	13158_T_cendrier	1_3316_3158
7	13158_F_support_foyer	3_0367_3158
6	13158_AA_verre_refractaire	1_18690_3158
5	13155_F_grille_fond	2_0214_3155
4	13152_F_taque	1_11413_3152
3	13152_F_buse_180mm	2_4312_3152
2	13151_F_dessus	2_1101_3151
1	13147_F_trappe_de_nettoyage	2_4230_3147
RepQ	Nom	Codification

